

Glassworker GW 625-2

The strongest off-road glass lifter of its class

GW 625-2

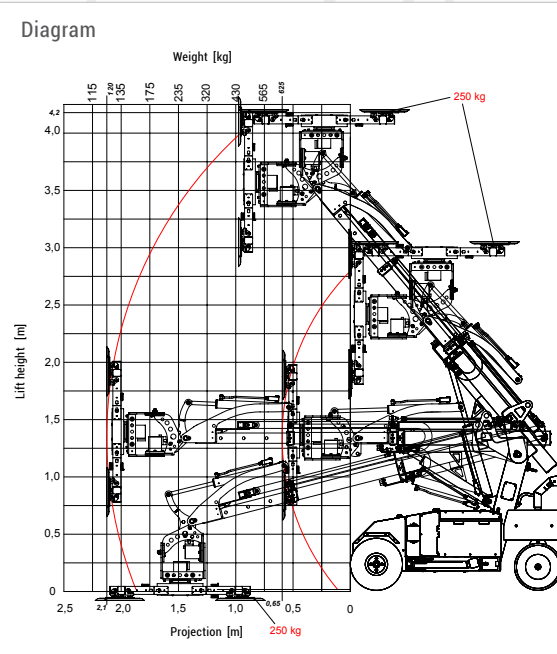
Order No.: 106499



- » Lifting capacity max. 625 kg
- » Max. lifting height (vertical) 3,10 m/3,60 m „Highlifter“
- » Max. lifting height (overhead) 3,60 m/4,20 m „Highlifter“
- » Individual arrangement of the suction cups
- » Hydraulic rotator as a standard feature
- » Standard wireless remote control for boom and suction disc movements
- » Self monitoring system

TECHNICAL DATA	
Lifting capacity	max. 625 kg
Total Weight	950 kg to 1050 kg depending on the version
Total height	1660 mm
Total width	830 mm
Total length	1930 mm
Tilting of the suction disc	95° forward 69° backwards
Side offset	50 mm in both directions
Chargin Voltage	230 Volt
Batteries	4 x 6 V (24V)
Front wheel drive	2000 Watt
Vacuum system	2-circuit-system
Suction cups	6 x Ø 350 mm
Turning circle at steering angle of 80°	3.8 m
Rotation of the vacuum cross	95° in both directions
Optional	Rotation Head for moving the suction disc by 95 degrees in both directions; Rotation Head for lateral moving of the suction disc; manual extension „highlifter“; non-marking full rubber tires; black puncture-free tires

Standard wireless remote control



You can find many helpful videos on our YouTube channel.

